



**AUTODESK® PRODUCT  
DESIGN & MANUFACTURING  
COLLECTION**





Inventor  
Professional



Autodesk  
Nastran  
In-CAD



HSM



Fusion 360



AutoCAD



AutoCAD  
Mechanical



AutoCAD  
Electrical



3ds Max



Factory  
Design  
Utilities



AutoCAD  
Architecture



Navisworks  
Manage

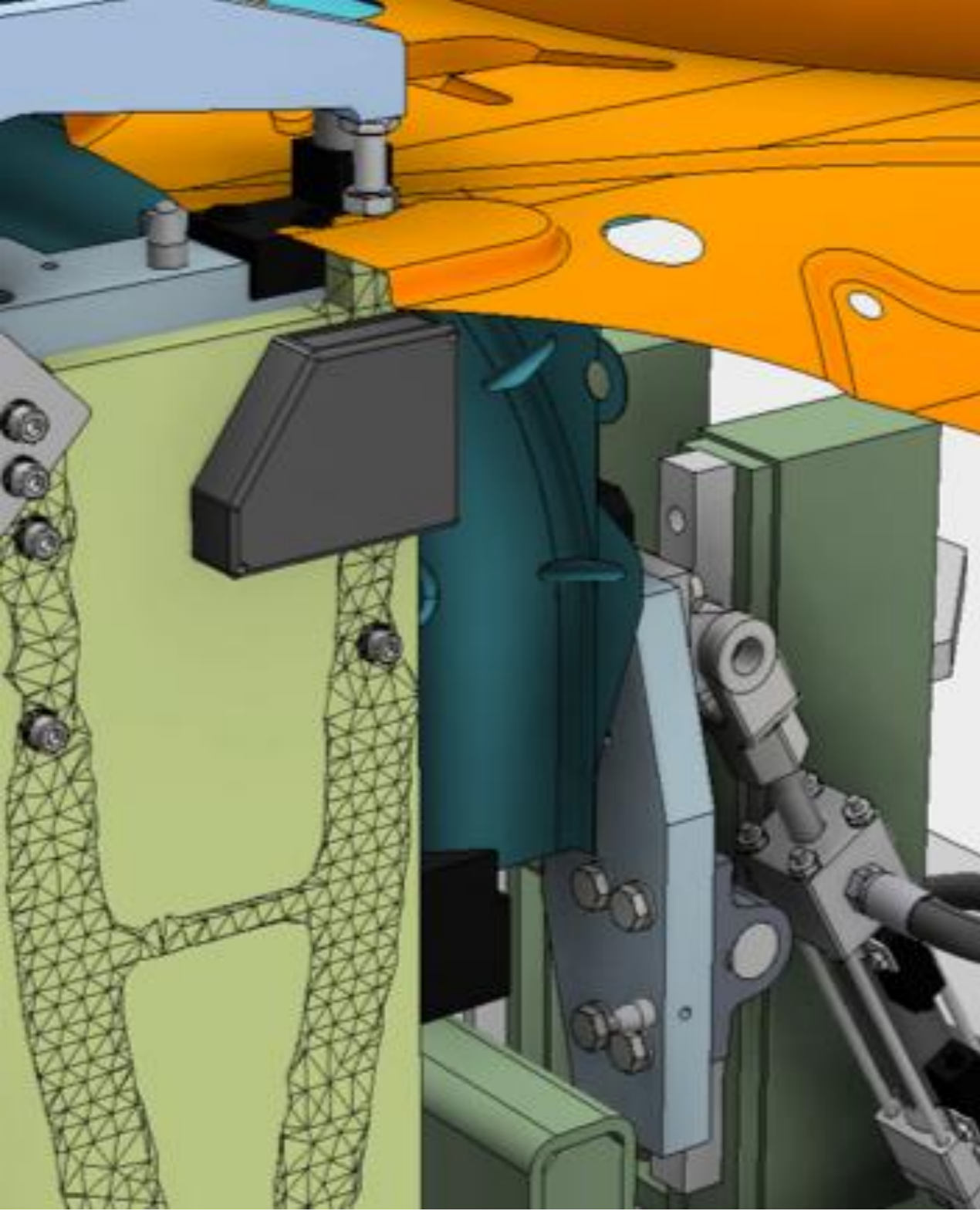


ReCap Pro

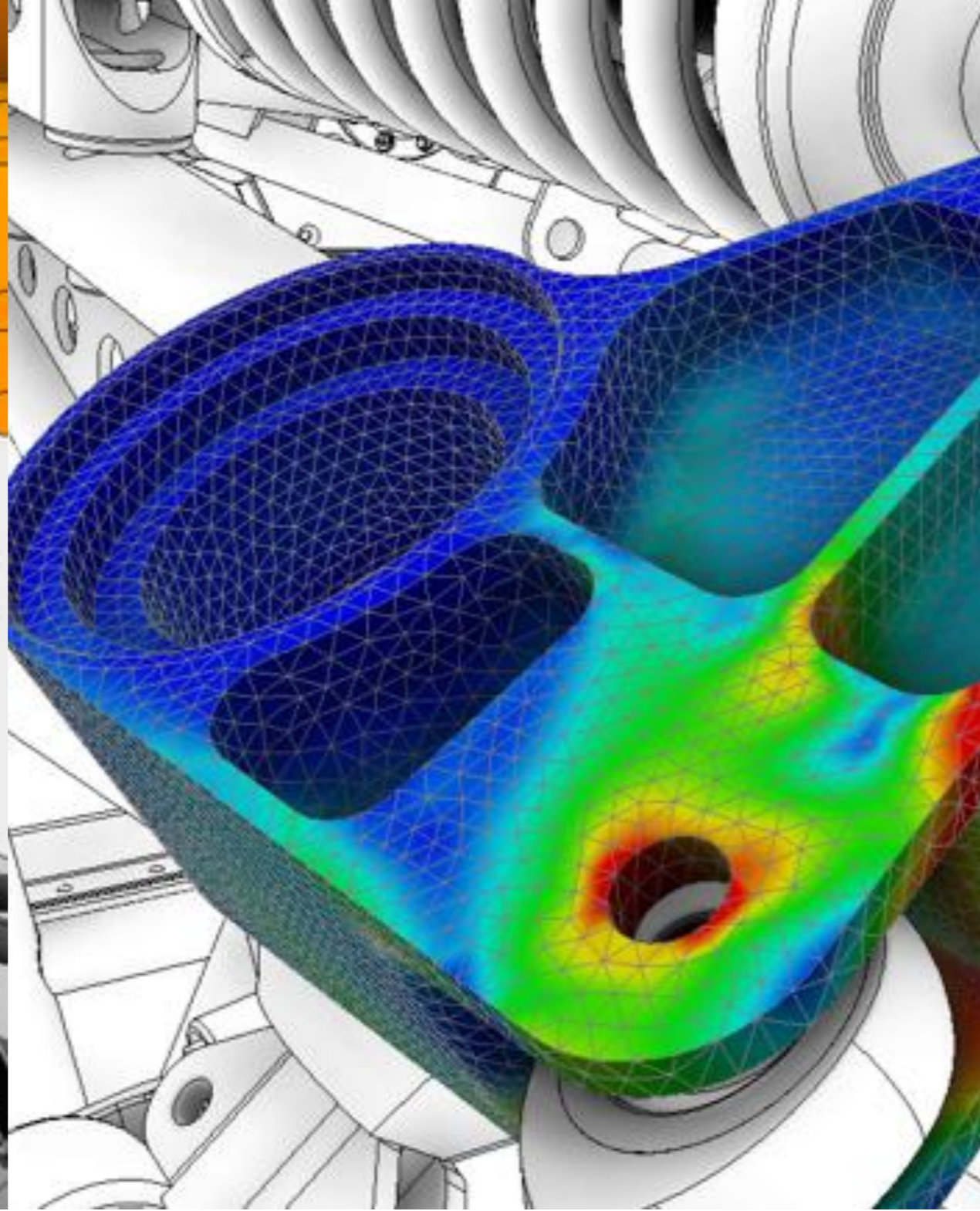


Vault Basic

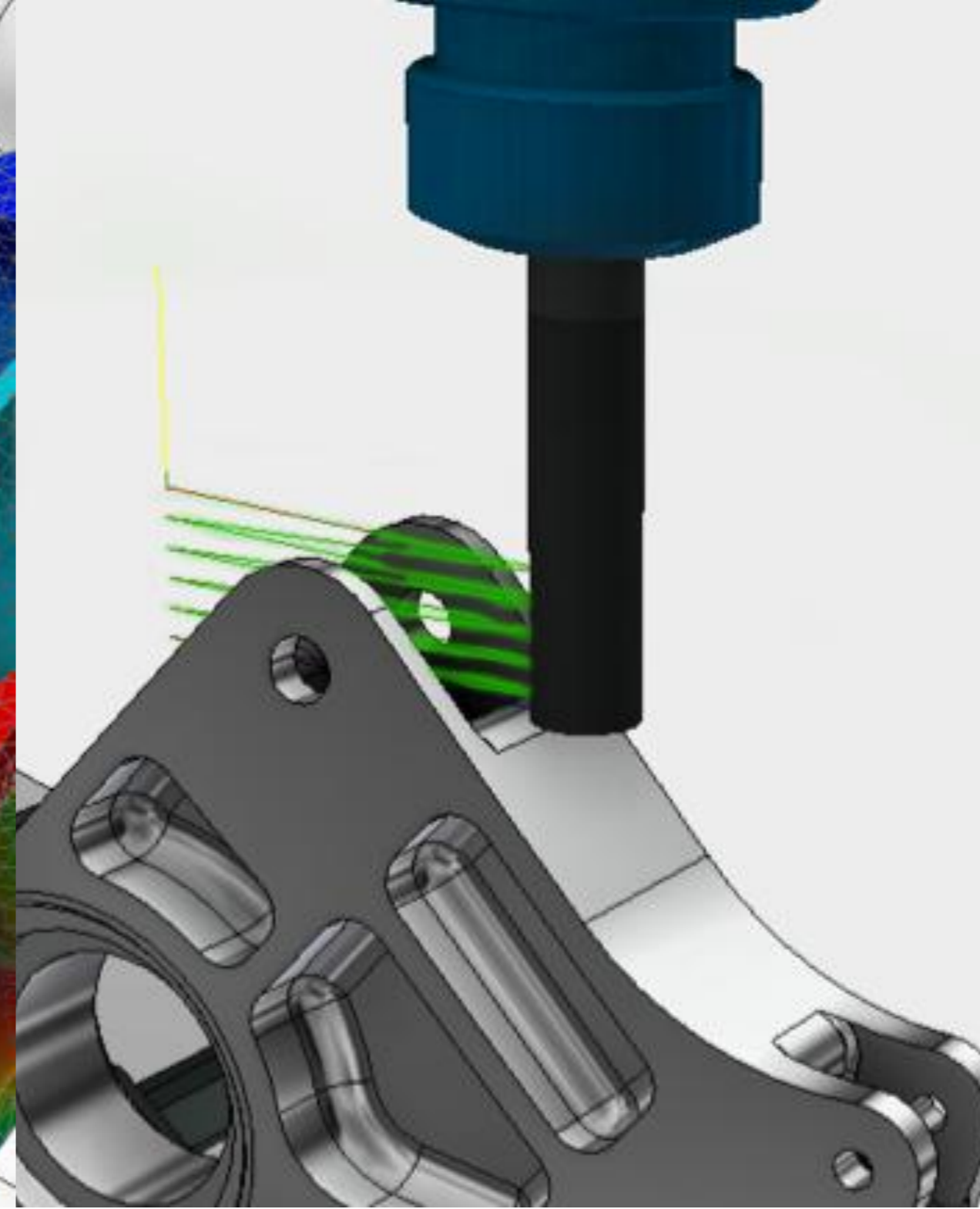




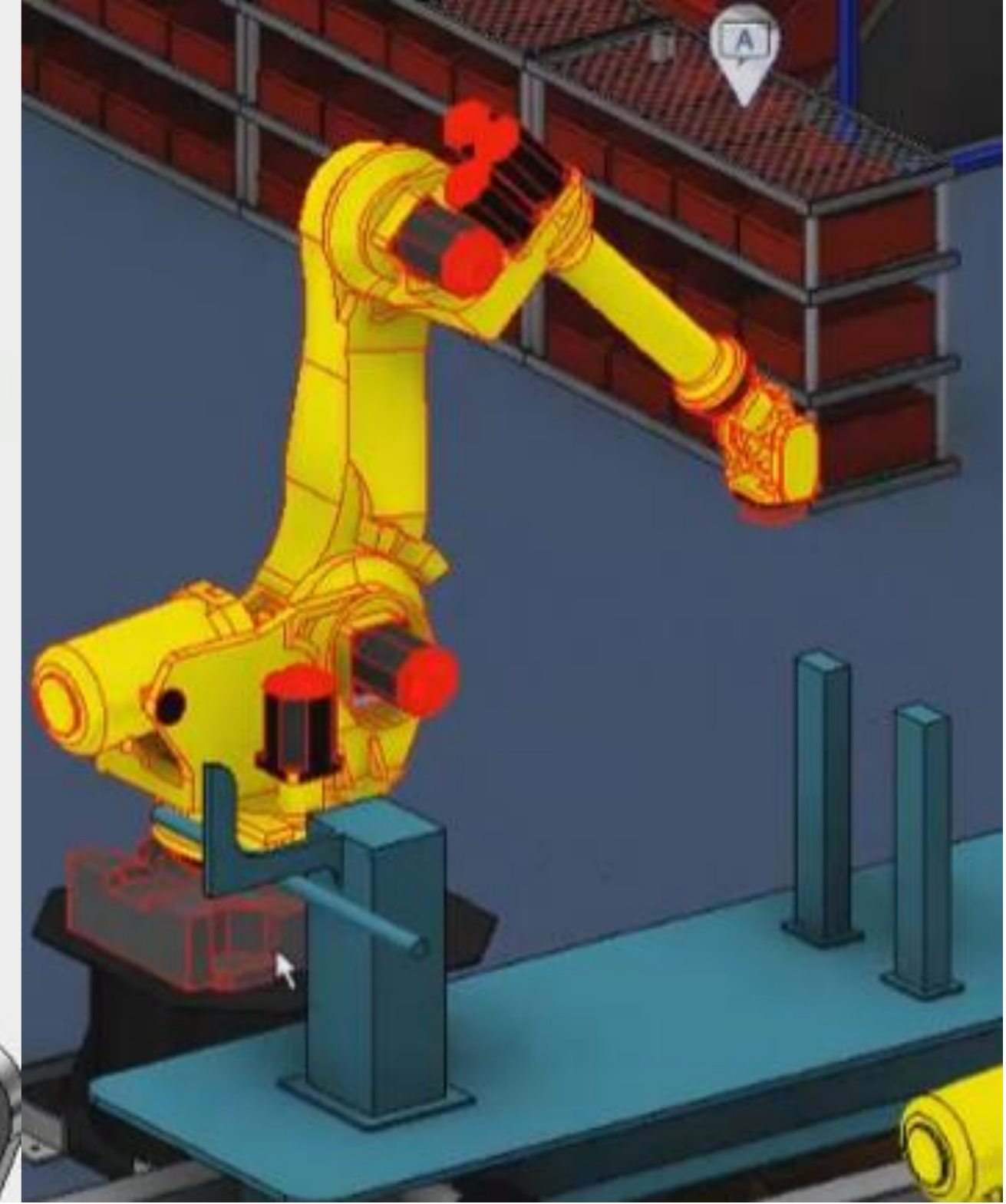
**DESIGN &  
ENGINEERING**



**ADVANCED  
SIMULATION**

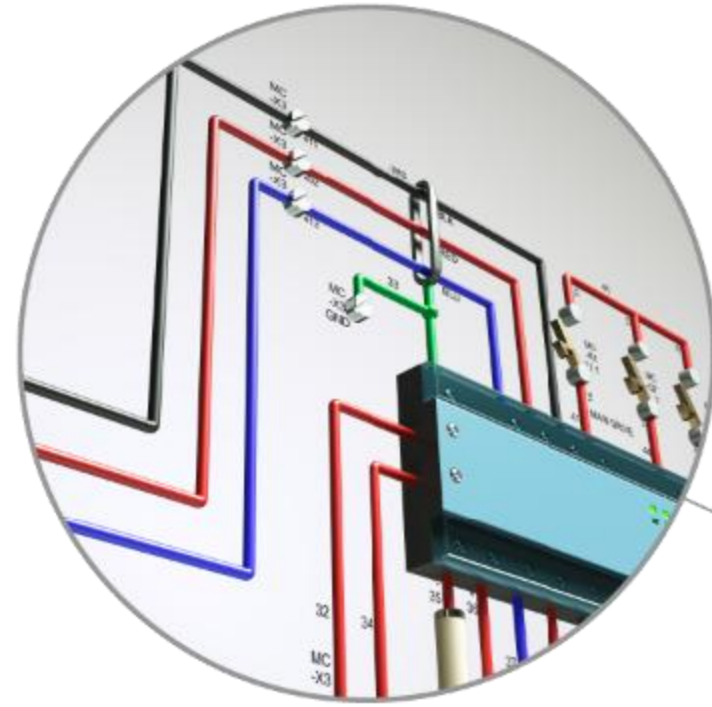


**2.5- TO  
5-AXIS CAM**



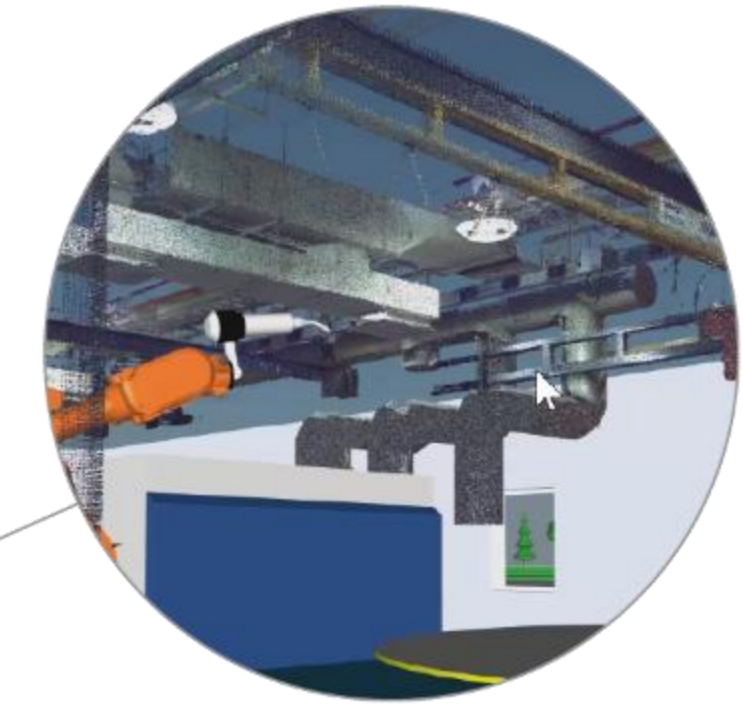
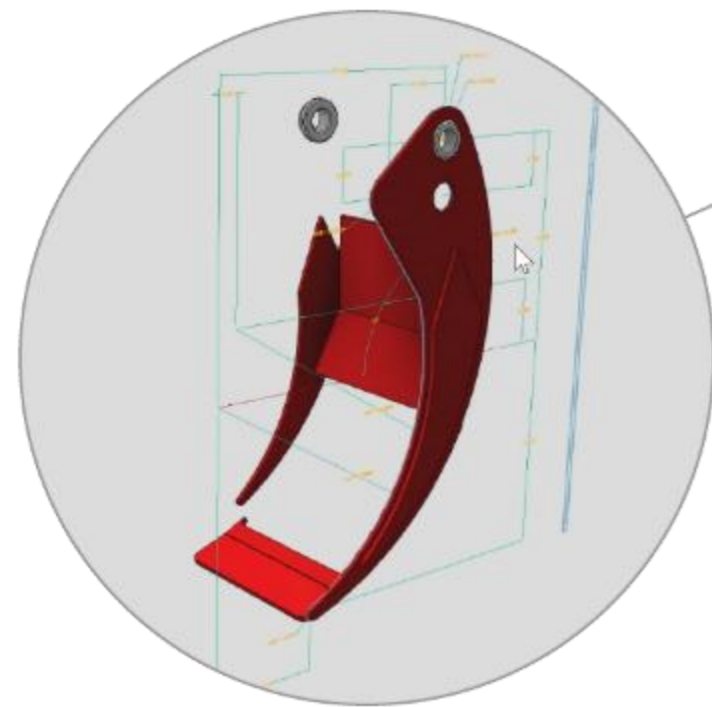
**FACTORY  
DESIGN**

YOUR BEST WORK. OUR BEST INVENTOR.



**ELECTROMECHANICAL  
INTEROPERABILITY**

**2D TO 3D  
INTEROPERABILITY**



**REALITY CAPTURE**

**LARGE SCALE  
DESIGN REVIEW**



**ASSOCIATIVE WORKFLOWS WITH  
COMPLIMENTARY APPLICATIONS**